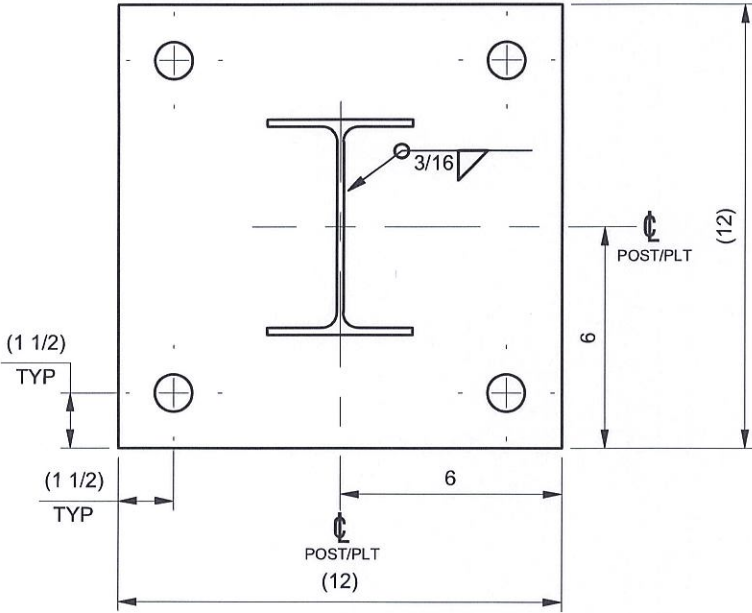
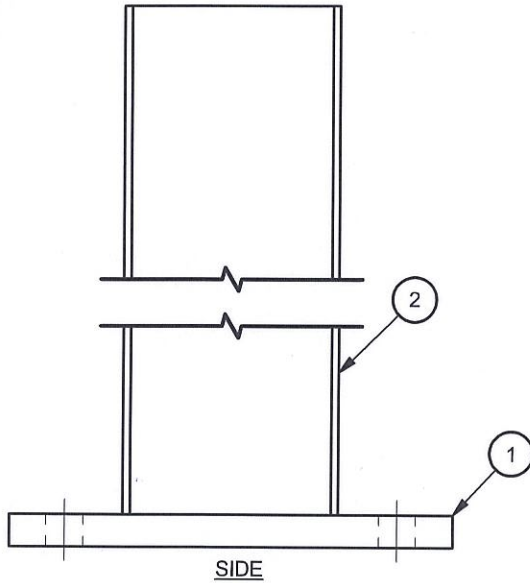
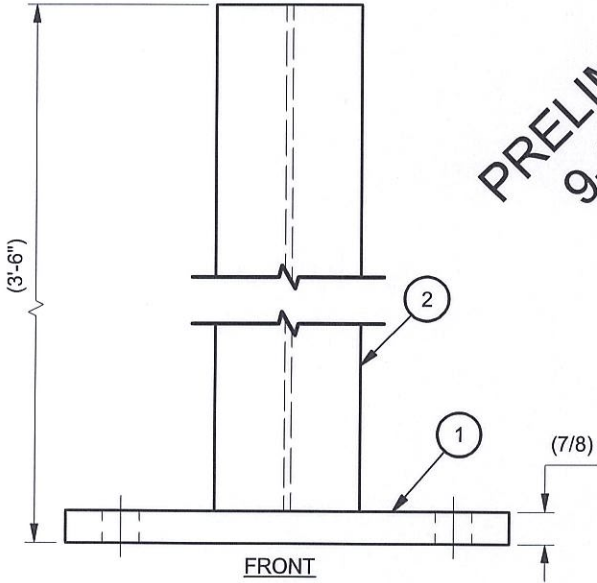


PARTS LIST			
ITEM	PART NO	DESCRIPTION	QTY.
1	130917	7/8 x 12 x 12 BASE PLATE	1
2	131062	3'-5 1/8" POST / W6 x 8.5# / BLANK	1



**APPROVAL DRAWING**  
 SIGNATURE *Jorge L. Musial*  
 PRINT NAME *Jorge L. Musial*  
 TITLE *Project Engineering*  
 DATE *09/04/2020*

**PRELIMINARY**  
 9-3-20



MATERIAL: SEE PARTS LIST	
FINISH: GALVANIZE, ASTM A123	
EST SURFACE AREA:	1425 in <sup>2</sup>
EST UNFINISHED WT:	65.2 lbs

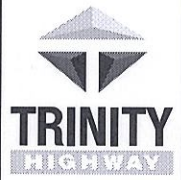
NOTES:  
 1. FINISH AND GENERAL WORKMANSHIP PER THP-SF-004, UNLESS OTHERWISE SPECIFIED.

DRAWN: J. MUSIAL	DATE: 9/2/2020
CHECKED: L. HOGUE	DATE: 9/2/2020
UNLESS OTHERWISE NOTED, ALL DIMENSIONS ARE IN INCHES. DIMENSIONS ACCORDING TO ASME Y14.5M AND THP-SE-003 UNLESS OTHERWISE SPECIFIED.	
Revision	ECO Date Rev By Chk.
INITIAL RELEASE	7381 9/2/20 — JM BT

TOLERANCES PER  
 THP-SF-001, UNLESS  
 OTHERWISE SPECIFIED.

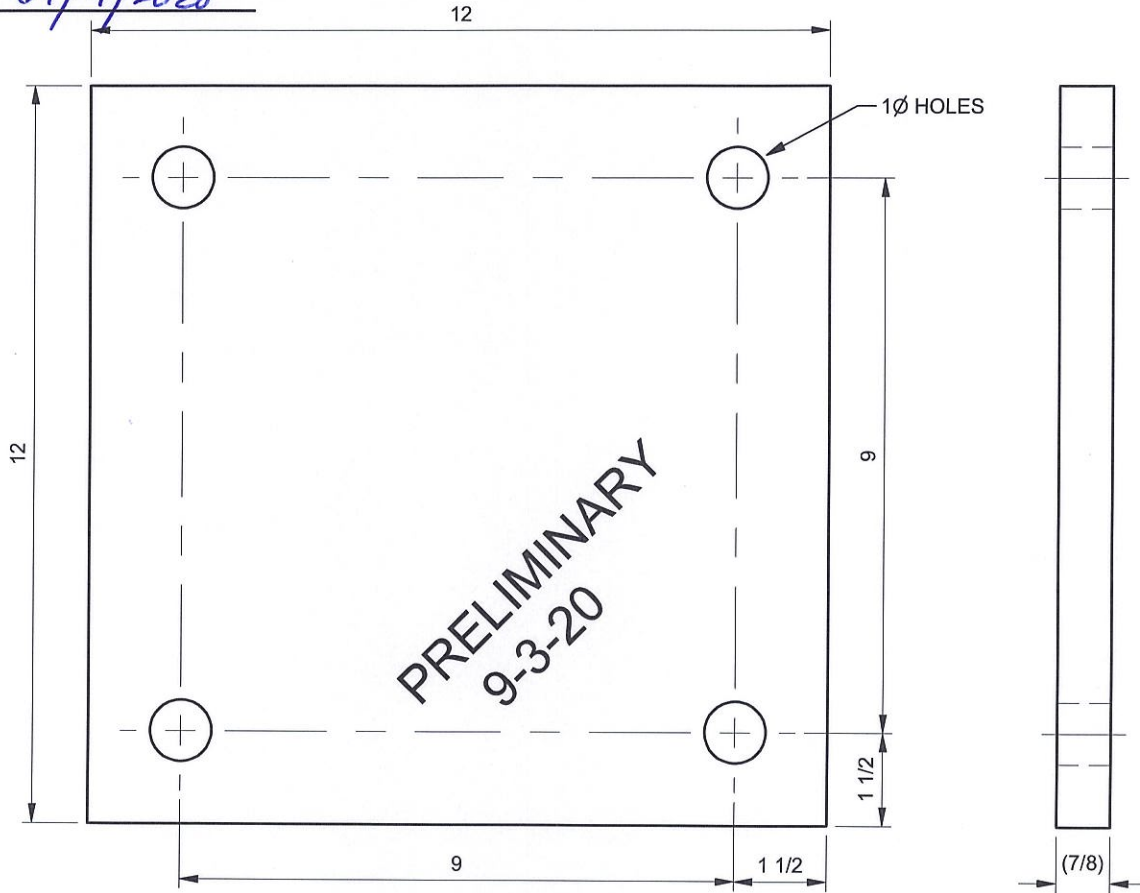
DO NOT SCALE DRAWING

3'-5 1/8" POST / W6 x 8.5#  
 7/8" x 12" x 12" PLATE



DRAWING:	131063	REV:	—	SHEET:	1 of 1
----------	--------	------	---	--------	--------

SIGNATURE Jose L. Yenes  
 PRINT NAME Jose L. Yenes  
 TITLE Project Engineering  
 DATE 09/4/2020



MATERIAL:  
7/8" PLATE, ASTM A709-36

FINISH:  
N/A

EST UNFINISHED WT: 36 lbs

DRAWN: L. HOGUE DATE: 9/13/2019

CHECKED: J. MUSIAL DATE: 9/13/2019

UNLESS OTHERWISE NOTED, ALL DIMENSIONS ARE IN INCHES.  
 DIMENSIONS ACCORDING TO ASME Y14.5M AND THP-SE-003  
 UNLESS OTHERWISE SPECIFIED.

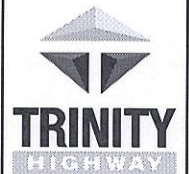
NOTES:

1. FINISH AND GENERAL WORKMANSHIP PER THP-SF-004, UNLESS OTHERWISE SPECIFIED.

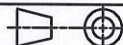
TOLERANCES PER THP-SF-001, UNLESS OTHERWISE SPECIFIED.

DO NOT SCALE DRAWING

7/8 x 12 x 12 BASE PLATE



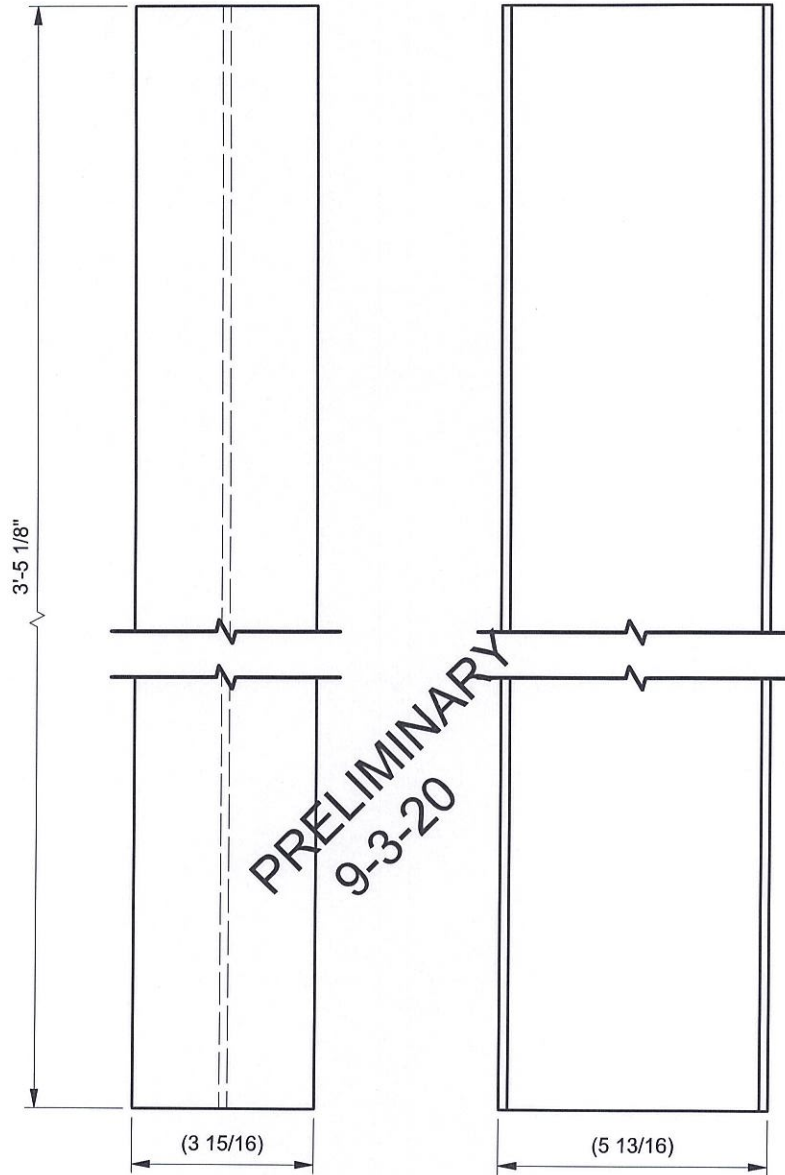
Revision	ECO	Date	Rev	By	Chk.
INITIAL RELEASE	6750	9/23/19	—	LH	BT



DRAWING: 130917

REV: —

SHEET: 1 of 1



**APPROVAL DRAWING**

SIGNATURE *Joseph L. Musial*  
 PRINT NAME Joseph L. Musial  
 TITLE Project Engineering  
 DATE 09/04/2020

NOTES:  
 1. FINISH AND GENERAL WORKMANSHIP PER THP-SF-004, UNLESS OTHERWISE SPECIFIED.

MATERIAL: W 6X8.5, ASTM A709-36	
FINISH: N/A	

EST SURFACE AREA:	N/A
EST UNFINISHED WT:	29 lbs

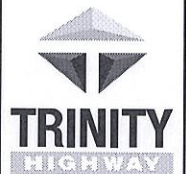
DRAWN: J. MUSIAL	DATE: 9/2/2020
CHECKED: L. HOGUE	DATE: 9/2/2020

TOLERANCES PER THP-SF-001, UNLESS OTHERWISE SPECIFIED.

DO NOT SCALE DRAWING

Revision	ECO	Date	Rev	By	Chk.
INITIAL RELEASE	7381	9/2/20	—	JM	BT

3'-5 1/8" POST / W6 x 8.5# / BLANK



	DRAWING: 131062	REV: —	SHEET: 1 of 1
--	--------------------	-----------	------------------